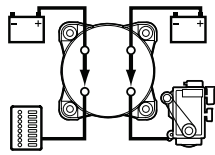
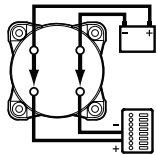


e-Series Dual Circuit™ Battery Switch

PN5510E



Switch Set to "ON"
Isolated Battery Banks



Switch Set to "ON"
One Battery Bank

Features

- Switches positive and negative terminals of one battery bank, or two isolated battery banks
- For switching battery banks in applications requiring high power output, reliability, and low heat generation

Tin-plated copper studs:

- 3/8"-16 (M10) provide maximum conductivity and corrosion resistance
- One-piece to reduce risk of overheating
- 7/8" (22.22mm) length to accept multiple cable terminals

Case design:

- Allows surface mounting or rear panel mounting
- Accepts up to 4/0 AWG (95mm²) battery cables

Specifications

Cranking Rating: 10 sec.	1,000 Amperes DC
Cranking Rating: 1 min.	750 Amperes DC
Intermittent Rating: 5 min. (UL 1107)	525 Amperes DC
Continuous Rating:	350 Amperes DC
Terminal Stud, Tin-Plated Copper	3/8"-16 (M10)
Torque	140 in-lb (15.82 N·m)
Cable Size to Meet Ratings*	4/0 AWG (120 mm ²)
Maximum Voltage Rating	32 Volts DC
Ignition Protected	
CE marked	

Agency Specifications

- Meets all American Boat and Yacht Council (ABYC) requirements for battery switches
- UL Listed - UL 1107 for electric power switches
- Meets UL 1500 and SAE J1171 external ignition protection requirements

Guarantee

Any Blue Sea Systems product with which a customer is not satisfied may be returned for a refund or replacement at any time.

For information about Blue Sea Systems Engine Starting Standard, go to www.blueseasea.com.

* Reducing cable sizes will reduce current ratings

Blue Sea Systems Inc.
425 Sequoia Drive
Bellingham, WA 98226 USA

Phone (360) 738-8230
Fax (360) 734-4195
E-mail conductor@blueseasea.com
www.blueseasea.com

Caution

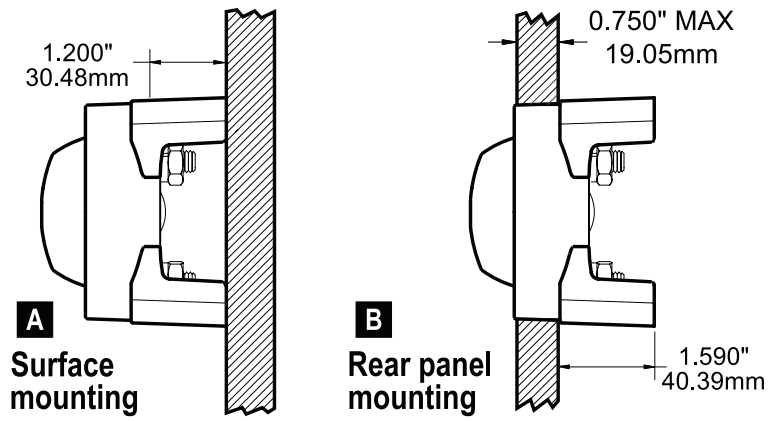
- Disconnect positive battery terminal before installing.
- Débranchez la cosse positive de la batterie avant de l'installer.
- Desconecte el terminal positivo de la batería antes de la instalación.
- Prima di eseguire l'installazione, disconnettere il terminale positivo della batteria.
- Consult marine electrical professional for proper wiring application.
- Consultez un professionnel de l'électricité marine pour installer le câblage correctement.
- Consulte a un electricista marino profesional para la aplicación de alambrado apropiada.
- Per assicurarsi che i cavi siano correttamente collegati, rivolgersi ad un elettricista specializzato in motori marini.

Installation

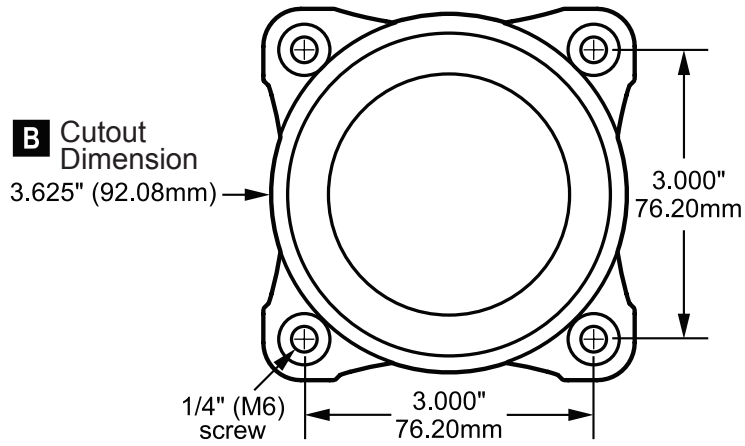
- Mount in an easily accessible location close to the batteries.
- Montez-le dans un endroit facilement accessible près des batteries.
- Monte en una ubicación fácilmente accesible cerca de la batería.
- Montare in un punto facilmente accessibile e vicino alle batterie.
- Attach one 4/0 AWG cable per terminal to meet ratings.
- Raccordez un câble 95mm² par cosse pour respecter les spécifications.
- Sujete un cable 95mm² por terminal de acuerdo a la clasificación.
- Attaccare un cavo 95mm² per conformarsi alle tarature.
- Refer to the latest edition of NFPA 302 and/or ABYC E11 Standard for installation information.
- Battery cable terminals must be attached under nut and lock washer. Torque 140 in-lb (15.82 N·m).
- Les cosse des câbles de batterie doivent être fixées sous la rondelle de sûreté et l'écrou – couple de serrage de 15,82 N·m (140 lb-po).
- Los terminales de los cables de batería deberán ser sujetados debajo de la tuerca y la arandela. Apriételes a una torsión de 15,82 N·m (140 lbs-pul).
- I terminali del cavo della batteria vanno attaccati con un dado e una rondella elastica: coppia di 15,82 N·m (140 lbs-in).

Operation

- Turn all appliances off before turning the battery switch to OFF.
- Éteignez tous les appareils électriques avant de mettre l'interrupteur de batterie sur ARRÊT.
- Apague todos los artefactos antes de girar el interruptor de batería a APAGADO (OFF).
- Spegnere tutte le apparecchiature prima di muovere l'interruttore della batteria su OFF (spento).
- Do not switch to OFF while engine is running.
- Ne le mettez pas sur ARRÊT alors que le moteur tourne.
- No coloque el interruptor en APAGADO (OFF) mientras que el motor esté funcionando.
- Non muovere l'interruttore su OFF (spento) quando il motore è in moto.



Switch Mounting Options



e-Series Battery Switch Dimensions

