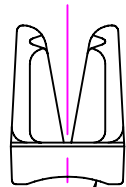


M4 4/4.2mm  $\phi$ 3-6mm  
 #8 (5/32") No. 8 1/8" - 1/4"

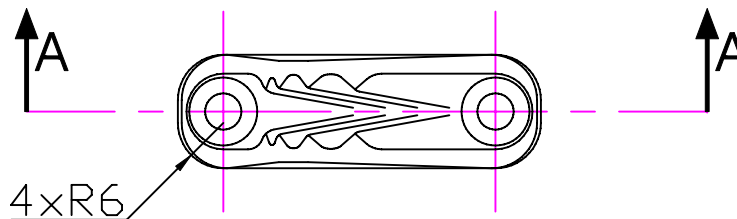
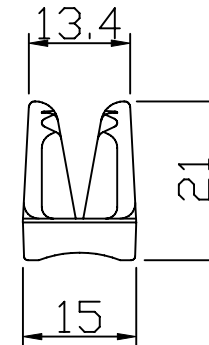
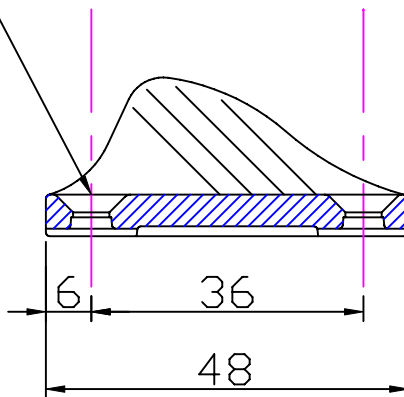
Notes: -  
 For marine applications, use a silicone sealant or a bedding compound to avoid electrolytic action between the cleat and metal fastenings.

2 Holes  $\phi$ 4.8  
 countersunk  $\phi$ 9.0x90°

Section 'AA'



R15



4xR6

Issue: 2. May 2006  
 ID222.dwg

Material:  
 Diecast Aluminium

Installation Drawing for: -

**CL222**

Racing Mini



Clamcleats Limited  
 Watchmead  
 Welwyn Garden City  
 Hertfordshire AL7 1AP  
 England

Telephone +44 (0)1707 330101  
 Fax +44 (0)1707 321269  
<http://www.clamcleat-rope-cleats.com>



Scale 1:1  
 All dimensions in mm.