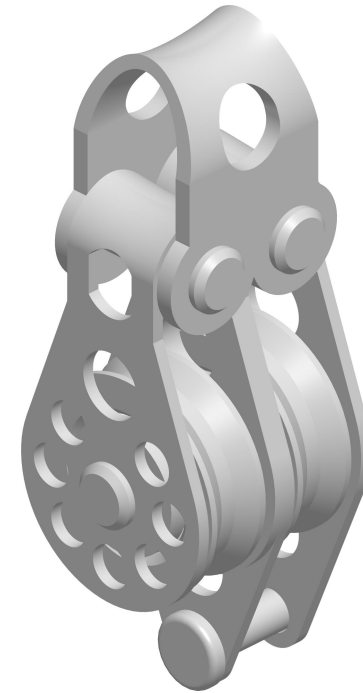
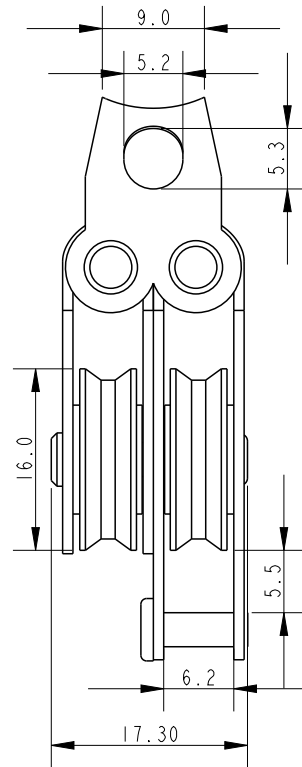


SCALE 3:2



SCALE 2:1

Specification

Sheave Diameter mm	Length mm	Line Diameter mm	Shackle Pin mm	Breaking Load kg	Weight g	Bearing Detail
16	49.7	2 - 4	4	400	26	Stainless Steel

DIMENSIONS FOR REFERENCE ONLY
 allenbrothers.co.uk
 +44(0)1621 772477

Title	Description
A4669-REF	Double with Becket