

Specifications:

| | |
|------------------|-----------------|
| Lumens: | 113-900 (white) |
| CCT: | 5000K |
| CRI: | 80+ |
| Voltage: | 10-16vDC |
| IP Rating | IP67 |
| Light Direction: | Top Emitter |

Key Features:

- Full-Color Spectrum RGBW output.
- Built-in color controller for simple 2-wire hook up.
- Available in 8 convenient sizes (1.5' to 12').
- PLI Enabled (Poco System Compatible).
- Can be controlled from a standard power switch (TTP).
- Anti-flicker and noise reduction technology built-in.
- Designed for salt water environments with over 2,000+ hour of rigorous ASTM-B-117 Salt Spray Chamber testing.
- Proudly designed and manufactured in the USA.
- 3 Year warranty on all Lumitec products.

Moray

LED Flex Light

The Moray Flex Light is the only RGBW flex light in the world to have both an internal driver and an internal color/output controller. This means that Moray can be connected directly to a 2-wire DC electrical system, allowing color and dimming control with any standard on/off switch and with no external driver. Moray is the flexible, versatile, reliable solution that reduces cost, time and complexity. And because it's also compatible with our Poco Digital Lighting Control system, Moray can easily be controlled from an on-board MFD, smartphone, or tablet. Available in eight convenient sizes.

Product Details:

| SKU | LENGTH | COLOR OUTPUT | VOLTAGE | 12VDC | 24VDC | LUMENS† |
|--------|--------|---------------|----------|--------|-------|---------|
| 101647 | 1.5' | Spectrum RGBW | 10-16vDC | 312mA | N/A | 113 |
| 101640 | 3' | Spectrum RGBW | 10-16vDC | 625mA | N/A | 225 |
| 101648 | 4.5' | Spectrum RGBW | 10-16vDC | 938mA | N/A | 338 |
| 101641 | 6' | Spectrum RGBW | 10-16vDC | 1.25A | N/A | 450 |
| 101649 | 7.5' | Spectrum RGBW | 10-16vDC | 31.56A | N/A | 563 |
| 101642 | 9' | Spectrum RGBW | 10-16vDC | 1.88A | N/A | 675 |
| 101650 | 10.5' | Spectrum RGBW | 10-16vDC | 2.19A | N/A | 788 |
| 101643 | 12' | Spectrum RGBW | 10-16vDC | 2.5A | N/A | 900 |

† Integrating sphere measured lumens within 1 minute of initial startup

Features:



Power Line Instruction



Timed Toggle Protocol



Color Match Commitment



2-Wire Hookup



Dimming



3 Year Warranty



Certifications:



IP Rated



European Conformity



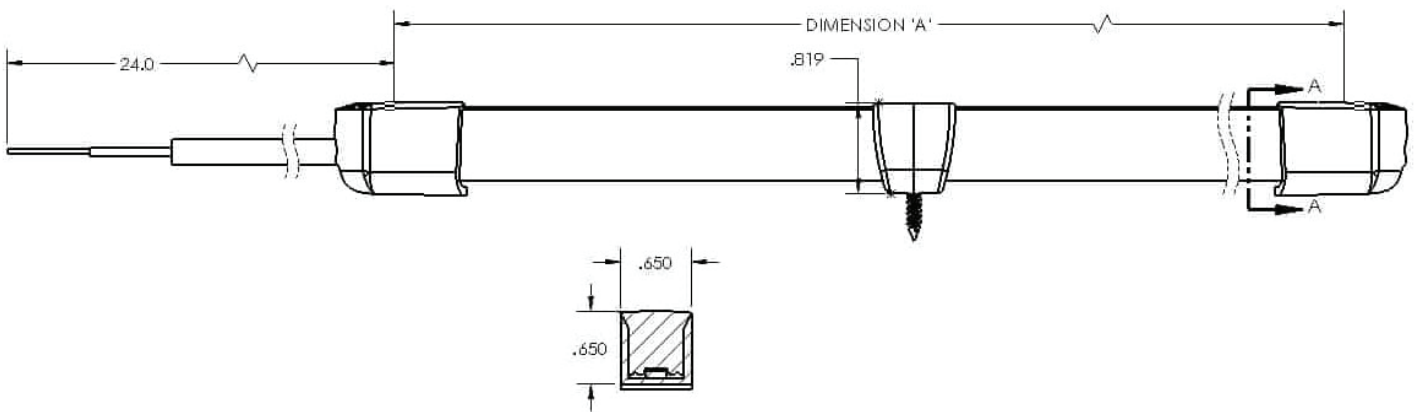
Dimensions:

Moray- LED Flex Light

Width: 0.65in (1.65cm)

Height: 0.65in (1.65cm)

Length 1.5', 3', 4.5', 6', 7.5', 9', 10.5' 12'



Directions

Bending the Moray Flex Light: Moray is a top emitter light and can only be bent on the vertical axis. Please follow suggested directions shown.

