

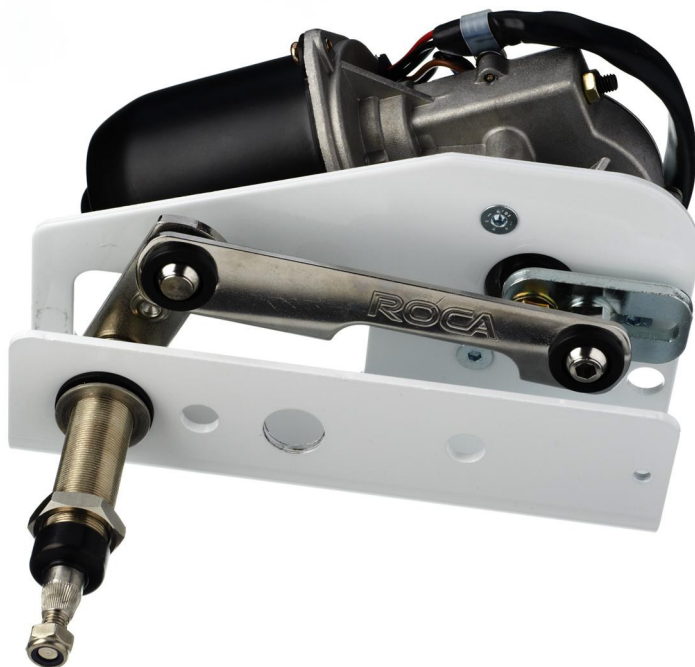


ROCA®

WIPER MOTOR | W38 SINGLE DRIVE

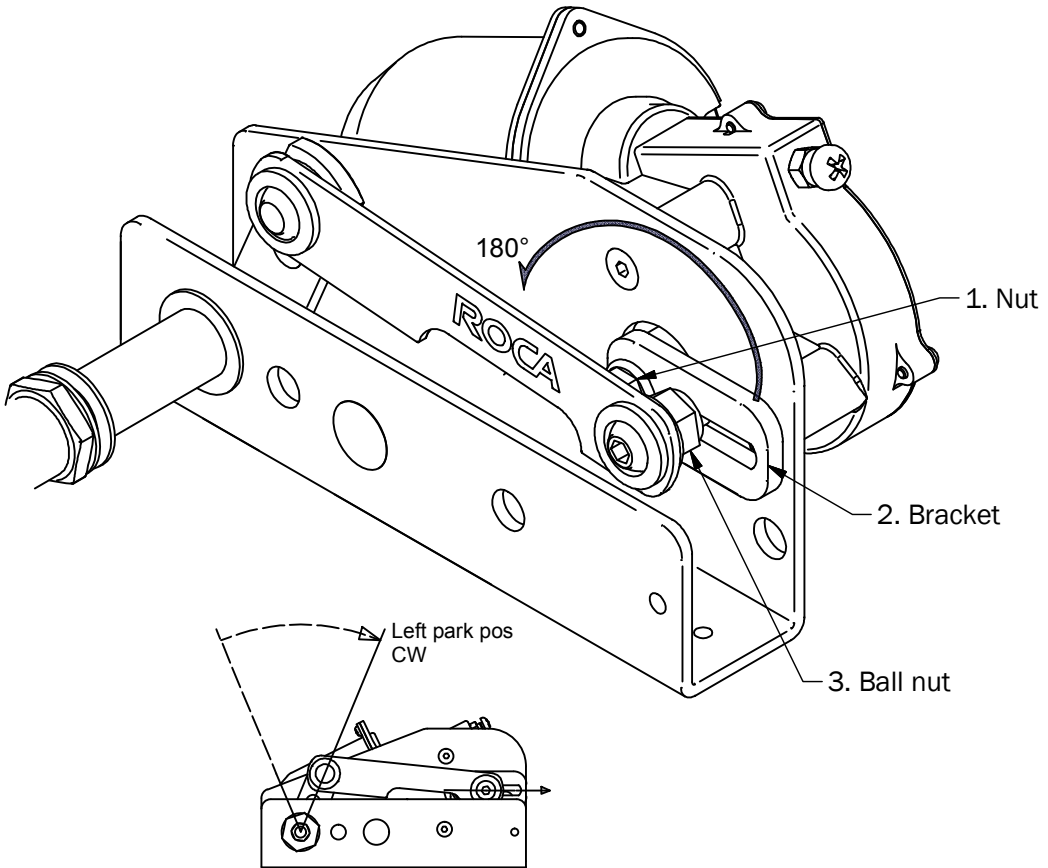
Installation Instructions

Before installation please read these instructions.



- 2 Speed, self-parking
- Heavy Duty motor, 38Nm
- Wipershaft in stainless steel
- Various sweep angle: 45 - 110°
- Dynamic park circuit
- Internal thermostwitch
- Insulated ground
- EMC protected
- Powers up to 900mm/900mm - Arm/blade combinations

Instructions - Adjusting the sweep angle and parking position



Changing the parking position.

Before the parking position is changed, the wiper motor should be in parked position (Default is set to left).

Keep battery main switch turned off during any operation inside of the wiper motor.

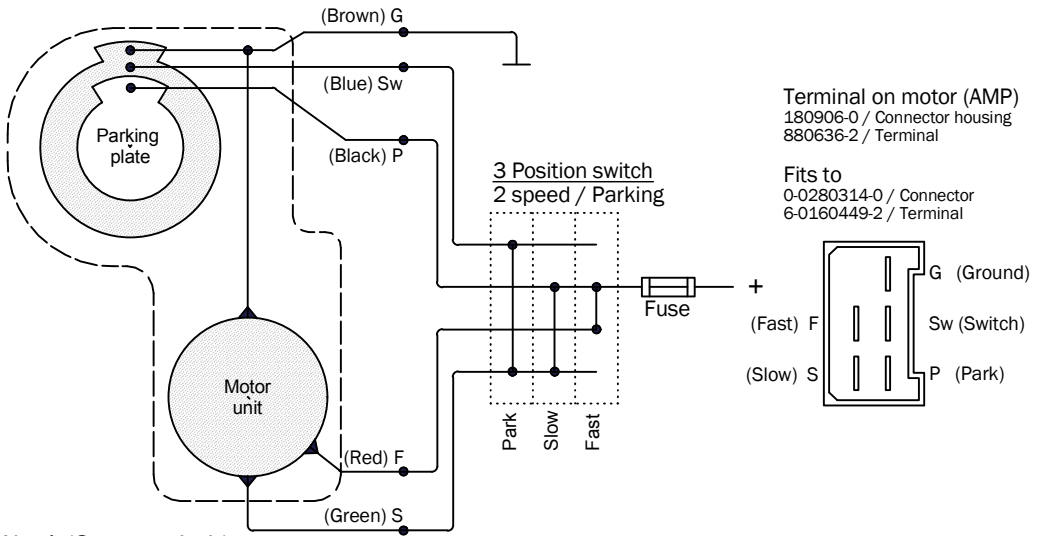
- **Loosen the nut (1).**
- **Remove the bracket (2) and rotate it 180°.**
- **Assemble the bracket and tighten the nut firmly.**

Change of wiped angle.

The wiped angle can be set at any point between 45° and 110°.
(Default is set to 45°).

Keep battery main switch turned off during any operation inside of the wiper motor.

- **Loosen the ball/nut (3).**
(Note: the ball/nut is left threaded to prevent it from coming loose when running).
- **Move the ball/nut to desired angle position and tighten it firmly.**

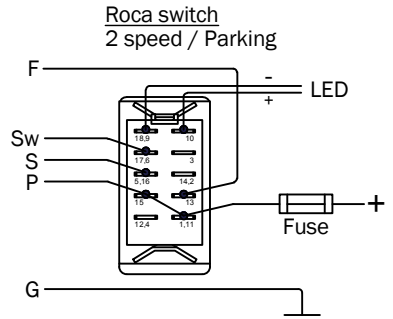
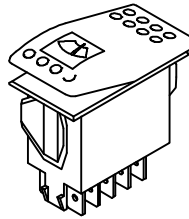


Alt. 1 (3 pos.switch)

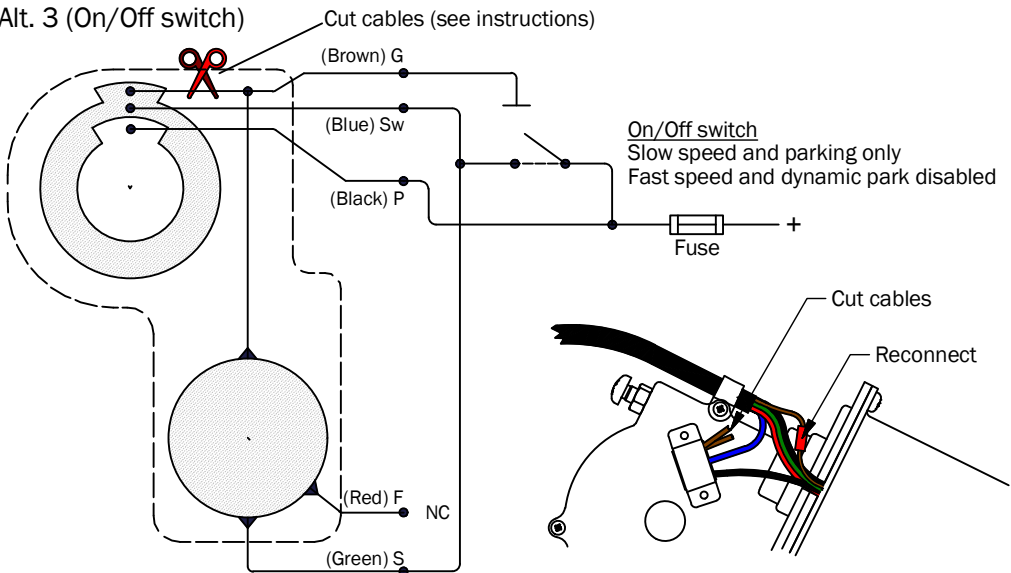
Alt. 2 (Roca switch)

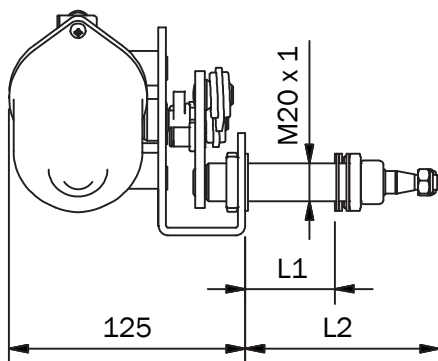
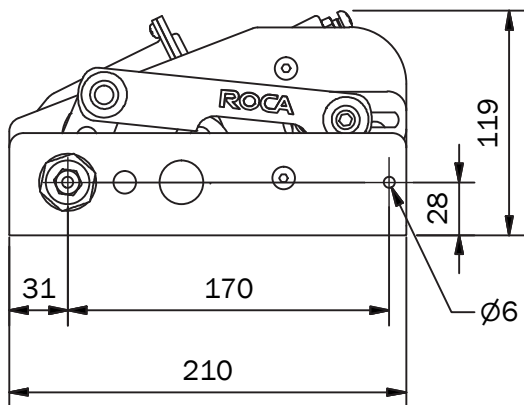
Actuator
466026

Switch
466221 / 12V
466222 / 24V



Alt. 3 (On/Off switch)





Variations:

Max length:		Voltage input:	
L1	L2	12 V	24 V
28	78	531017	531018
53	103	531027	531028
78	128	531037	531038

Current diagram:	12 V	24 V
No load	< 3 A	< 2 A
Normal running	< 7 A	< 4 A
Stall	< 36 A	< 18 A
Fuse	35 A	20 A

Limited warranty

- Roca warrants the wiper motors to be free from defective material and workmanship for a period of 3 years from the date of purchase.
- This warranty does not apply to failure or damage caused by improper installation, misuse, lightning strike or damage from a power surge.
- If failure occurs during this period, return it to your dealer for repair or replacement.

Wiper arms and blades:



Adjustable tip (Single drive)
536230 / 536235 EP
538230 / 538235 Black



Pantograph
536330 EP
538330 Black



Blade (22"-35")
520822 - 35