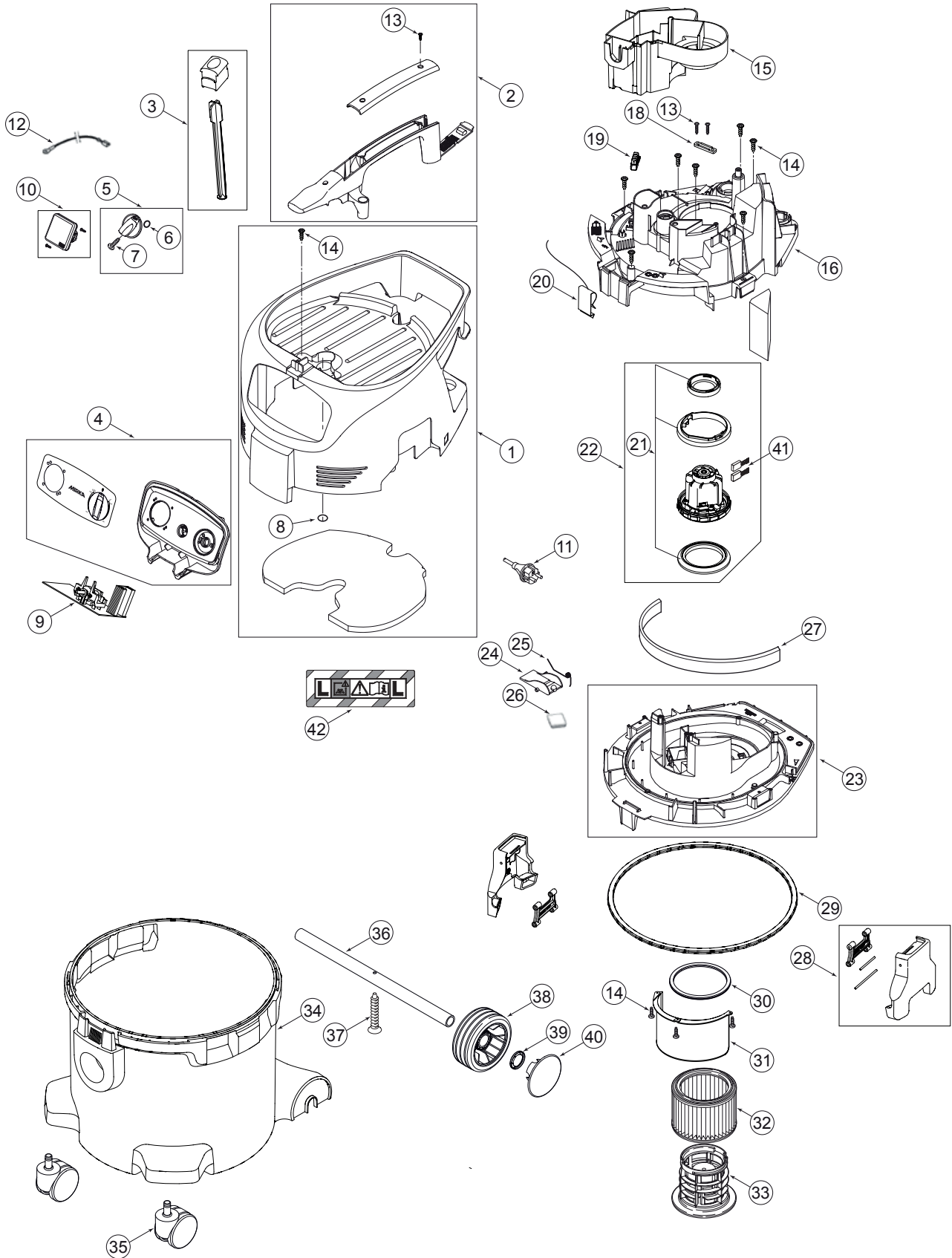


Exploded view of Dust Extractor 912 / 915 / 915L

Updated 06.07.2015



Dust Extractor 912/915/915L Kits

Mirka code	Item	Description	Kit	QTY	Model
8999701111	1	Cover		1	
	8	O-Ring	1	1	
	14	Screw-Set 5x18		13	
8999710111	2	Handle	2	1	
	13	Screw-Set 3.5x18		5	
8999700311	3	Filter Deduster	3	1	
8999710411	4	Switchbox	4	1	
			1		
8999603611	5	Rotary Knob		1	
	6	O-Ring	5	1	
	7	Screw		1	
8999723211	22	Motor Assembly (230V)		1	915
	21	Sealing Assembly	22	1	
	41	Carbon Brushes (2 pcs)		2	
8999322211	22	Motor Assembly (110-120V)		1	912*
	21	Sealing Assembly	22	1	
	41	Carbon Brushes (2 pcs)		2	
8999702811	28	Container Clamp	28	2	
8999703111	31	Deflector	31	1	
	14	Screw-Set 5x18		13	
also used for Mirka 915 GB 110V			*		

Separate parts on next page

Dust Extractor 912/915/915L Spare parts

Mirka code	Item	Description	Kit	QTY	Model
8999701111	1	Cover	1	1	
8999710111	2	Handle	2	1	
8999700311	3	Filter Deduster	3	1	
8999710411	4	Switchbox	4	1	
8999603611	5	Rotary Knob	5	1	
	6	O-Ring	5	1	
	7	Screw	5	1	
	8	O-Ring	1	1	
8999701911	9	Electronic Board 220-240V for DE 915		1	915
8999330911	9	Electronic Board 100-120V for DE 912/915		1	912*
8999601911	10	Socket (EU)		1	915
8999711011GB	10	Socket (GB 230V)		1	915
8999711211GB	10	Socket (GB 110V)		1	915
	10	Socket (US)		1	912
	10	Socket (AU/NZ)		1	915
8999711111	11	Power Cord (EU)		1	915
8999711211	11	Power Cord (GB 230V)		1	915
8999711311GB	11	Power Cord (GB 110V)		1	915
8999321111	11	Power Cord (US)		1	912
	11	Power Cord (AU/NZ)		1	915
8999701211	12	Wire 1x150 (220-240V)		1	915
	12	Wire 2.5x250 (100-120V)		1	912*
8999701311	13	Screw-Set 3.5x18	2	5	
8999701411	14	Screw-Set 5x18	1, 31	13	
8999701511	15	Airguide		1	
8999701611	16	Clampingplate		1	
8999701711	17	Sound Insulation Outlet		1	
8999701811	18	Strap For Cable		1	
8999711911	19	Distribution Strip		1	
8999702011	20	Contact Spring		1	
8999702111	21	Sealing Assembly	22	1	
8999723211	22	Motor Assembly (230V)	22	1	915
8999322211	22	Motor Assembly (110-120V)		1	912*
8999702311	23	Baseplate		1	
8999702411	24	Flap		1	
8999602211	25	Spring		1	
8999702611	26	Plug Base Plate Basic		1	
8999702711	27	Sound Insulation Front		1	
8999702811	28	Clamp for DE 915	28	2	
8999702911	29	Gasket For Container		1	
8999601411	30	Gasket For Filter		1	

Dust Extractor 912/915/915L Spare parts

Mirka code	Item	Description	Kit	QTY	Model
8999703111	31	Deflector	31	1	
8999600411	32	Filter		1	
8999602511	33	Filter Support Cage		1	
8999703411	34	Container		1	
8999703511	35	Caster		2	
8999703611	36	Wheel Axle		1	
8999703711	37	Screw 5x35		1	
8999601511	38	Wheel		2	
8999703911	39	Ring		2	
8999704011	40	Hub Cap		2	
8999723511	41	Carbon Brushes	22	2	

***also used for Mirka 915 GB 110V**